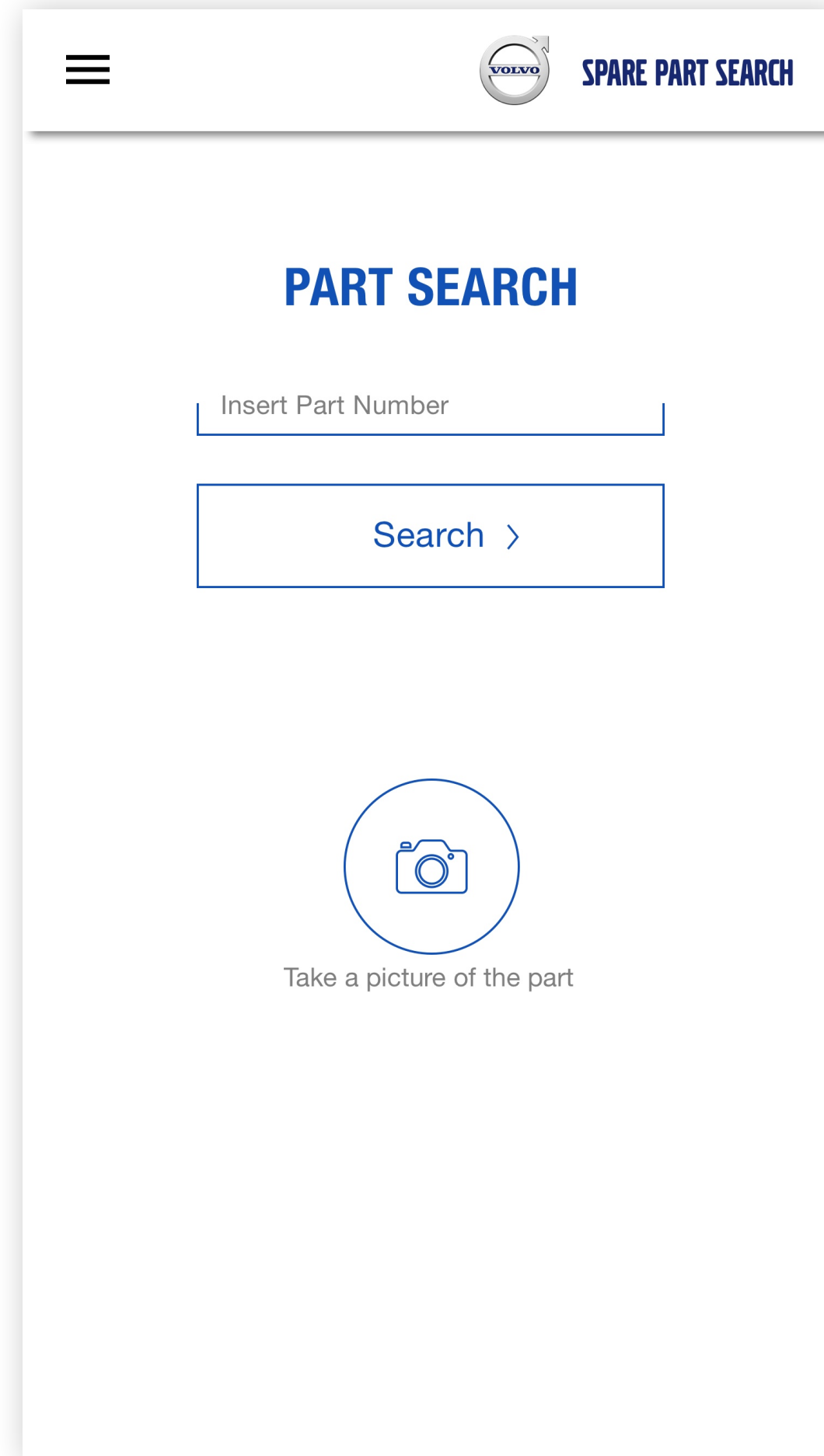




Volvo CE e-Commerce Concept Wireframes



Spare Part Identifying



Search a part either with a part number or use image recognition

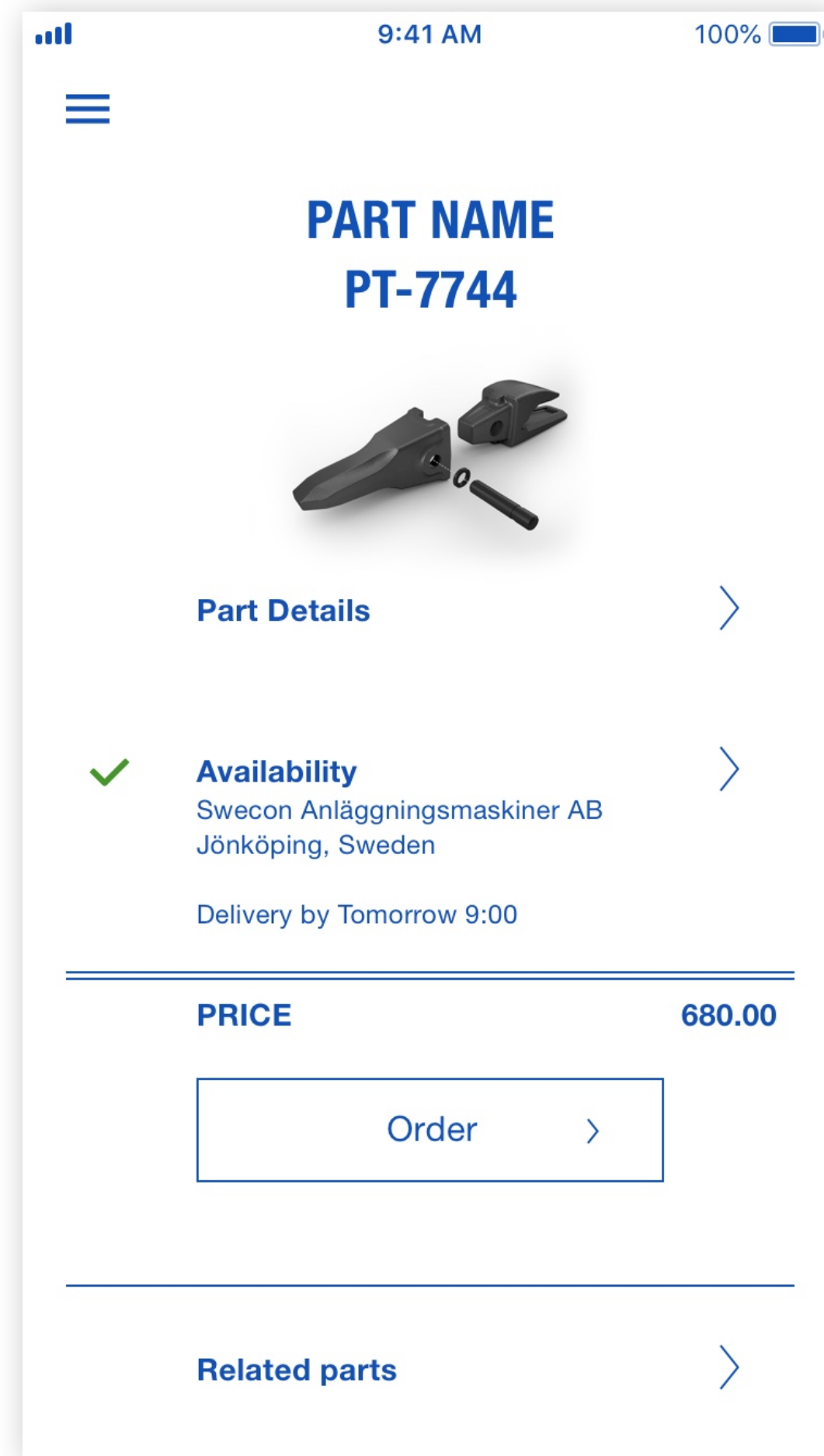
Spare Part Identifying



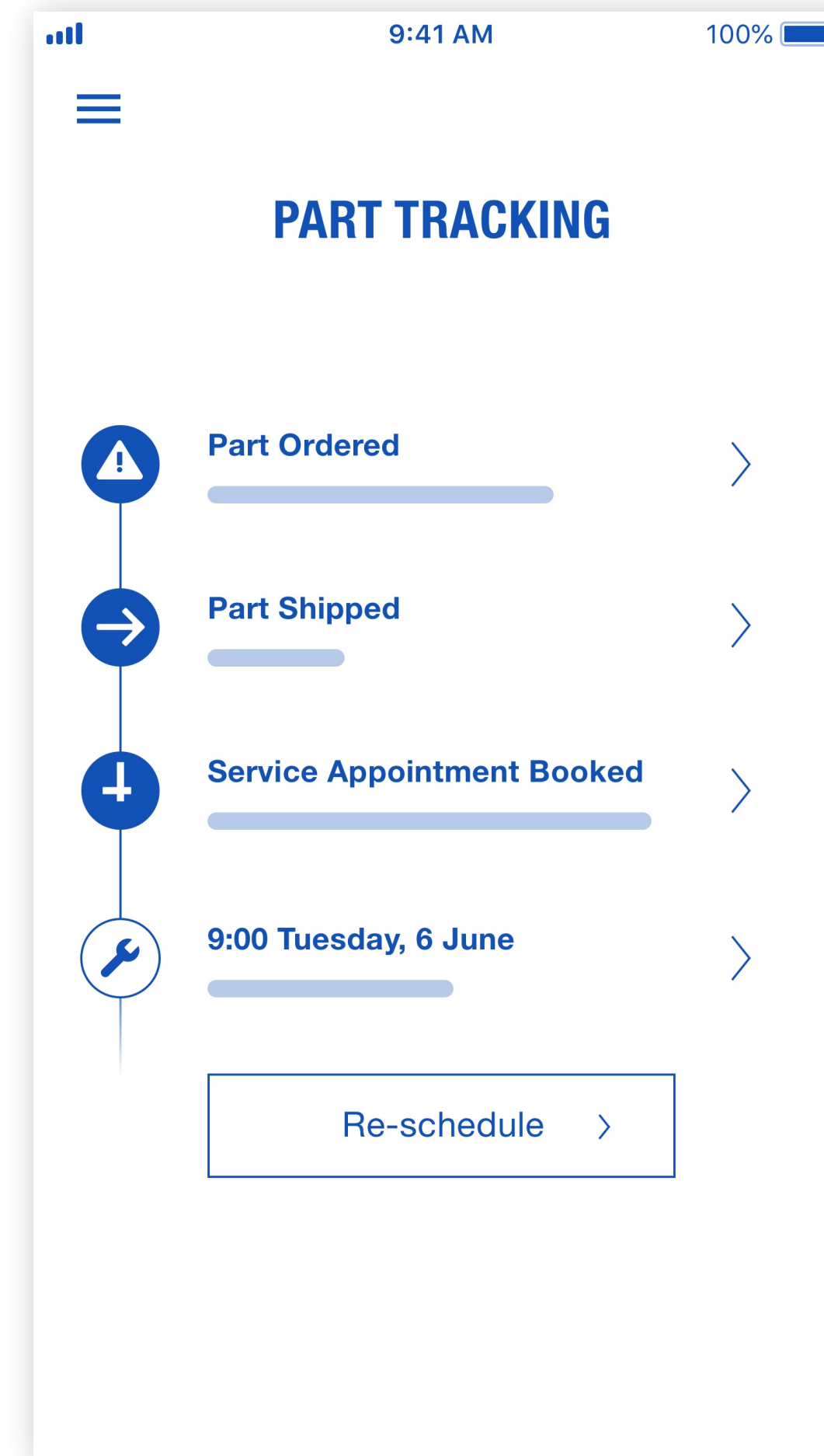
Image recognition for the spare parts



Spare Part Ordering and Tracking

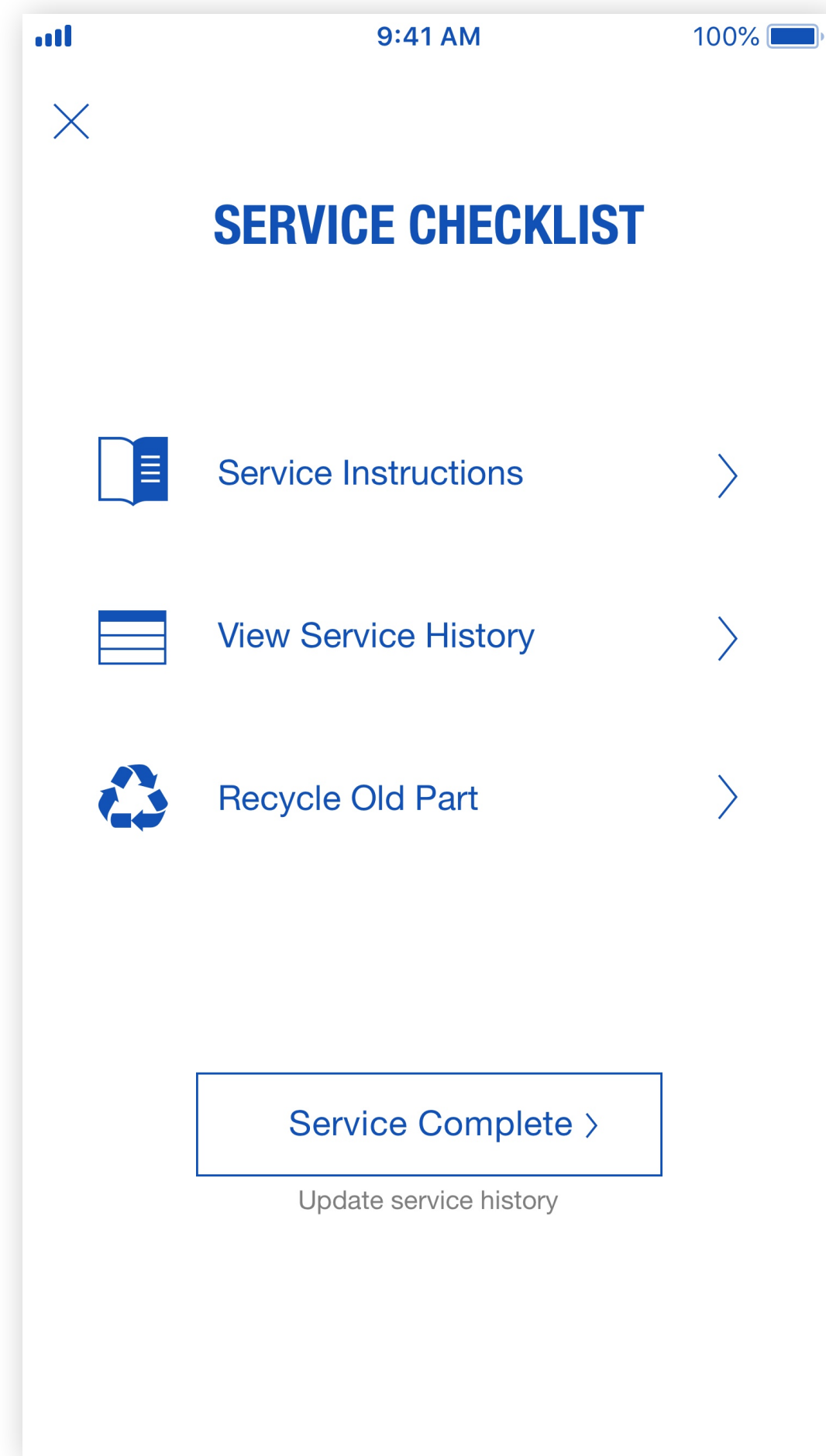


See spare part availability, price and what other parts might be needed for the job





Track the order, re-schedule delivery time, change delivery address

Installing Spare Part






Service instructions, machine history and how to recycle old part, are all attached to the order.
Completing service will update the machine service history automatically.

Search spare parts based on my fleet





MY FLEET

EXCAVATORS



-  [EWR150E >](#)
-  [EW160E >](#)
-  [EC180E >](#)

ARTICULATED HAULERS

-  [A45GFS >](#)
-  [A35G >](#)

[See 'my fleet'](#)

Select part category/group

1 Product Range
Articulated Haulers

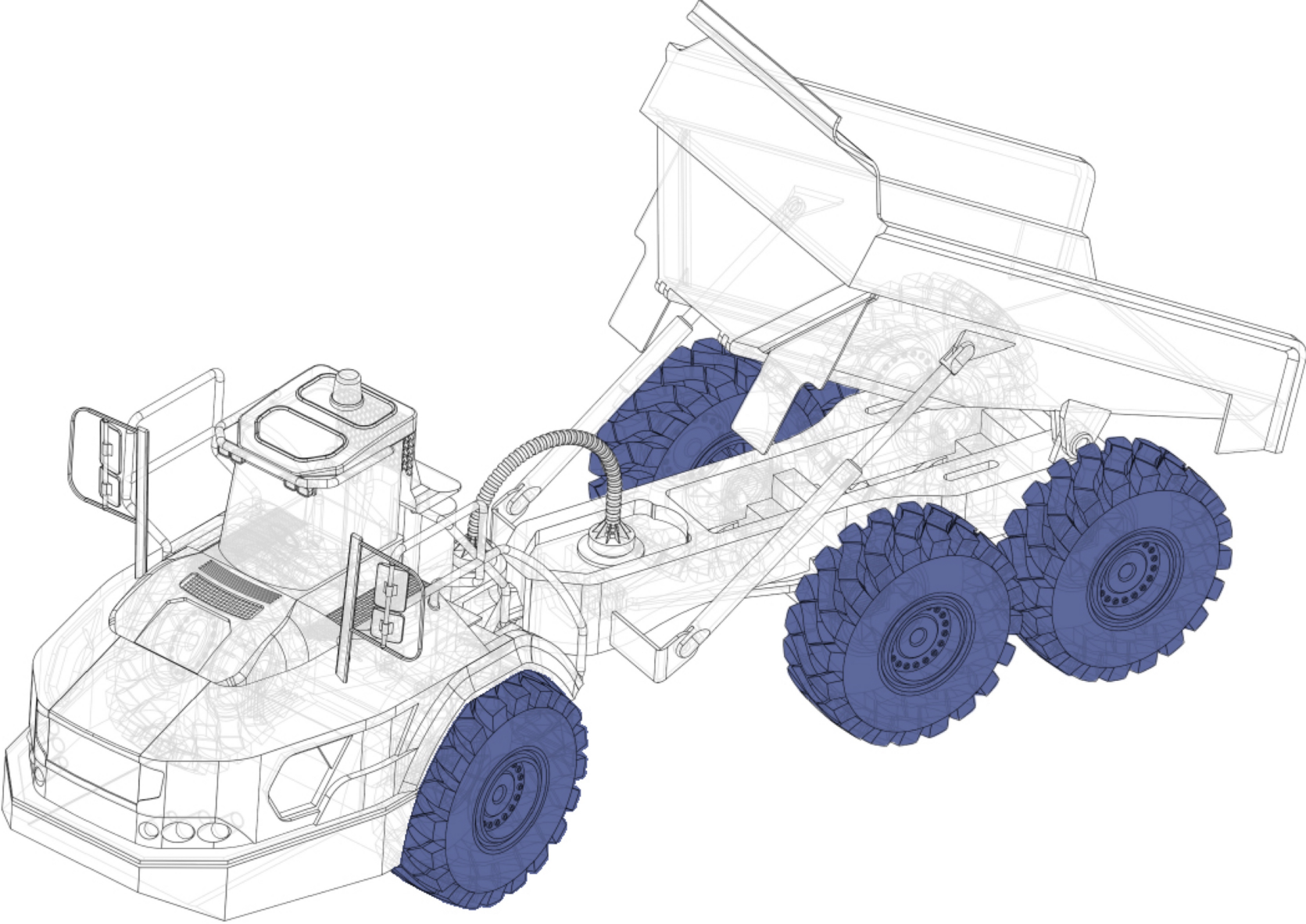
2 Model
A35G


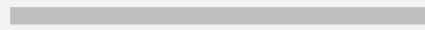

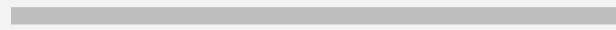

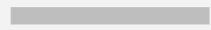
3 Part Group
Select part group below

4 Part

SELECT PART GROUP

- Body
- Brakes
- Doors
- Electric / Transmitter / Databox / Sensor
- Engine
- Exhaust/cleaning
- Exterior details
- Front details
- Fuel
- Gear box / Drive axle / Middle axle
- Hydraulic/Traction
- Instruments / Electric switches
- Interior
- Lock / Alarm
- Rearview Mirror
- Repair sheet metal / Consumables
- Spoilers / Wipers
- Steering wheel / Axle / Lever / Pedal
- Vehicle exterior / Suspension
- Vehicle front / Springs / Steering
- Wheels / Tires / Accessories** >
- Windows



Navigation:      

Recommended parts within that group

The screenshot shows a Volvo parts catalog interface. At the top, there is a breadcrumb trail with four steps: 1. Product Range (Articulated Haulers), 2. Model (A35G), 3. Part Group (Wheels, Tires, Accessories), and 4. Part. Below the breadcrumb trail, there is a section titled "MOST SEARCHED PARTS IN A35G - WHEELS, TIRES, ACCESSORIES" with three placeholder images. Below that, there is a section titled "ALL PARTS" with a list of parts, each represented by a small square icon and a horizontal line. At the bottom, there are three more placeholder items.

1 Product Range
Articulated Haulers

2 Model
A35G


3 Part Group
Wheels, Tires, Accessories


4 Part

**MOST SEARCHED PARTS IN
A35G - WHEELS, TIRES, ACCESSORIES**








ALL PARTS

Order summary





ORDER SUMMARY

| Part number | Description | Quantity | Availability | Additional Information |
|-------------|----------------------|----------|--------------|--|
| ██████████ | ████████████████████ | 1 ▾ | ██████████ | ████████████████████  |
| ██████████ | ████████████████████ | 1 ▾ | ██████████ | ██████████  |
| ██████████ | ████████████████████ | 8 ▾ | ██████████ |  |
| ██████████ | ██████████ | 1 ▾ | ██████████ |  |
| ██████████ | ████████████████████ | 52 ▾ | ██████████ | ████████████████████  |
| ██████████ | ████████████████████ | 1 ▾ | ██████████ |  |
| ██████████ | ██████████ | 1 ▾ | ██████████ | ██████████  |

[Download List >](#)

[Order >](#)

██████████

██████████

██████████